

AQUA SENSOR

by MG International



POOL SAFETY

immersion detectors





MG International : the pool safety leader

With its immersion detectors which comply with the french official standard NF P90-307/A1, MG International has reinforced its number one position in the pool safety area.

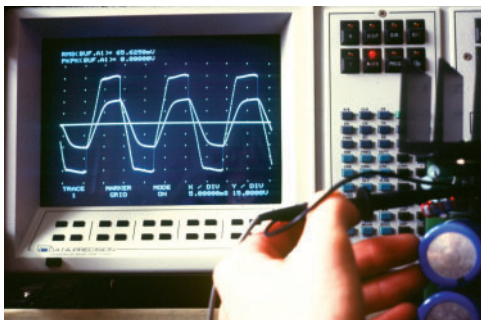
In strictly complying with all the requirements of the french official standard NF P 90-307/A1 july 2005 version, our immersion detectors have been very successful toward 1 600 distributors and pool professionals.



an under control manufacturing process

Based in La Ciotat (South of France, near Marseilles), our production unit needs 950 m² facility. Since they arrive in our factory, all our products components are subject to close attention.

From assembling phase to expedition, after going through testing and packaging, not less than 16 steps are necessary. All of them are drastically controlled.



our objectives : quality and performance

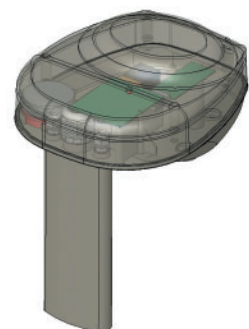
From its original creation, MG International has invested important financial means in Research and Developments (R&D).

From the conception phase to the realisation, after having gone through design stage, our internal R&D department and our technical partners are mobilised in order to reach our common objective : the performance of each product.

tomorrow : innovating concepts for more comfort and safety

Increasing R&D investment budgets and our team mobilisation allow us to propose innovating home automation solutions.

This direction given towards comfort and friendly usage is established on our experience and our know-how in terms of pool safety.



Aquasensor : a wide range of detectors of immersion

For the year 2005, we developed a complete range of detectors of immersion adapted to users' needs. This wide range is the result of an attentive listening of the user and a permanent dialogue with professionals :

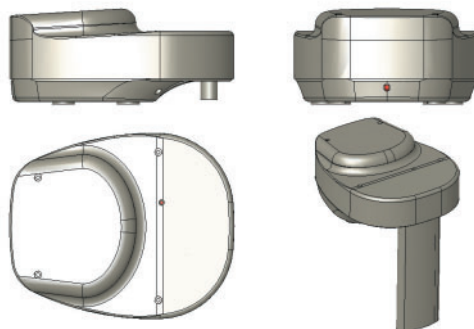
- Sensor Premium
- Sensor Solar
- Sensor Élite
- Sensor Espio
- Sensor Domo

main working principle of the detector of immersion

In case of immersion or fall in the swimming pool, the detection stations of the Aquasensor range detect the wave generated under the water and activate their powerfull alarm siren.

advantages of our detectors of immersion

- conformity with the official French Standard NF P90-307/A1
- attractive prices
- swimming-pool surroundings respected
- easy to use and to install





■ **SENSOR** *premium*

Sensor Premium is an autonomous immersion detector supplied with an alkaline battery. Fixed on the curbstone of the swimming pool, the siren is integrated.



■ **SENSOR** *solar*

Sensor Solar is an autonomous immersion detector supplied with a lithium battery and a solar panel which supplements it in order to increase its lifespan.

Fixed on the curbstone of the swimming pool, it has two alarm sirens : the first one integrated into the detection station and the second one integrated in a remote device (**Sensor Domo**) situated into the house.



■ **SENSOR** *élite*

Sensor Élite is an autonomous immersion detector which offers to its user safety and comfort information. Equipped with a lithium battery and a solar panel which supplements it in order to increase its lifespan, **Sensor Élite** is fixed on the swimming pool curbstone.

In addition to the integrated siren, it offers a temperature sensor and a pH probe. All this information (swimming-pool safety, temperature and pH value) is transmitted by safe radio connection to a remote device (**Sensor Domo**), equipped with a second siren and situated into the house.



■ **SENSOR** *domo*

Sensor Domo is an information remote device. Dedicated to the comfort of the user, it is an autonomous and movable case. As it integrates an alarm siren, it becomes the ideal complement of **Sensor Premium**.





MG International

Z.I. Athelia II - 13600 La Ciotat - France
Tél. +33 (0)4 42 98 14 90 - Fax +33 (0)4 42 08 64 46

www.aquasensor.com - infos@aquasensor.com

SA au capital de 230 000 € - Siret 441 743 002 00020 - NAF 315B